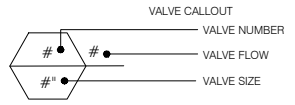


IRRIGATION EQUIPMENT SCHEDULE

SYMBOL	MANUFACTURER/MODEL/DESCRIPTION	QTY	PSI
	HUNTER PROS-06-PRS30-CV-R 10` RADIUS TURF SPRAY, 30 PSI REGULATED 6" POP-UP, CHECK VALVE, RECLAIMED PURPLE CAP.	3	30
	HUNTER PROS-06-PRS30-CV-R ADJUSTABLE ARC TURF SPRAY, 30 PSI REGULATED 6" POP-UP, CHECK VALVE, RECLAIMED PURPLE CAP.	175	30
	HUNTER PROS-12-PRS30-CV-F 5` STRIP SPRAY SHRUB SPRAY, 30 PSI REGULATED 12" POP-UP, CHECK VALVE, FLOGUARD, RECLAIMED CAP.	67	30
	HUNTER PROS-12-PRS30-CV-F 8` RADIUS SHRUB SPRAY, 30 PSI REGULATED 12" POP-UP, CHECK VALVE, FLOGUARD, RECLAIMED CAP.	8	30
	HUNTER PROS-12-PRS30-CV-F 12` RADIUS SHRUB SPRAY, 30 PSI REGULATED 12" POP-UP, CHECK VALVE, FLOGUARD, RECLAIMED CAP.	4	30
	HUNTER PROS-12-PRS30-CV-F ADJUSTABLE ARC SHRUB SPRAY, 30 PSI REGULATED 12" POP-UP, CHECK VALVE, FLOGUARD, RECLAIMED CAP.	350	30
	HUNTER MP CORNER PROS-12-PRS40-CV-F-R SHRUB ROTATOR, 12" POP-UP WITH CHECK VALVE, FLOGUARD, PURPLE CAP, PRESSURE REGULATED TO 40 PSI.	4	40
	HUNTER MP1000 PROS-12-PRS40-CV-F-R SHRUB ROTATOR, 12" POP-UP WITH CHECK VALVE, FLOGUARD, PURPLE CAP, PRESSURE REGULATED TO 40 PSI,	1	40
	HUNTER MP2000 PROS-12-PRS40-CV-F-R SHRUB ROTATOR, 12" POP-UP WITH FACTORY INSTALLED CHECK VALVE, FLOGUARD, RECLAIMED BODY CAP, PRESSURE REGULATED TO 40 PSI,	30	40
	HUNTER PROS-PRS30-06-CV-R-MSBN 10F MULTI-STREAM BUBBLER, 6" POP-UP, CHECK VALVE, RECLAIMED CAP, 20=2.0GPM.	96	30
	RAIN BIRD PESB-R REMOTE CONTROL VALVES, GLOBE CONFIGURATION, SCRUBBER TECHNOLOGY FOR DIRTY/REUSE WATER, SIZE SHOWN ON PLAN.	36	
	RAIN BIRD 44-NP 1" BRASS QUICK-COUPLING VALVE, LOCKING PURPLE RUBBER COVER, 2-PIECE BODY.	4	
	NIBCO T-29 200 PSI CWP BRONZE GATE VALVE, WHEEL HANDLE, SIZE SAME AS MAINLINE.	9	
	MASTER VALVE, RAIN BIRD PESBR-PRS-D 1" WITH SCRUBBER MECHANISM, PURPLE FLOW CONTROL HANDLE, PRESSURE REGULATOR MODULE, SIZE SHOWN ON PLAN.	3	
	RAIN BIRD ESP12LXMEF-LXMMSS-LXMMSSPED 12 STATION, WITH FLOW MODULE & EXPANSION MODULE, INSTALL IN LXMMSS-LXMMSSPED STAINLESS STEEL PEDESTAL.	1	
	RAIN BIRD ESP12LXMEF-LXMMSS-LXMMSSPED 12 STATION, WITH FLOW MODULE, INSTALL IN LXMMSS-LXMMSSPED STAINLESS STEEL PEDESTAL.	1	

SYMBOL	MANUFACTURER/MODEL/DESCRIPTION	QTY	PSI
	RAIN BIRD ESP12LXMEF-LXMMSS-LXMMSSPED 12 STATION, WITH FLOW MODULE, INSTALL IN LXMMSS-LXMMSSPED STAINLESS STEEL PEDESTAL.	1	
	RAIN BIRD FS-100-B 1" BRASS FLOW SENSOR, 2.0 GPM TO 40.0 GPM.	3	
	IRRIGATION LATERAL LINE: PVC SCHEDULE 40-NP	9,015 L.F.	
	IRRIGATION MAINLINE: PVC SCHEDULE 40-NP	860 L.F.	
	PIPE SLEEVE: PVC SCHEDULE 40	1,420 L.F.	



POC 1 VALVE SCHEDULE

NUMBER	MODEL	SIZE	TYPE	GPM	HEADS	DESIGN PSI	FRICTION LOSS	VALVE LOSS	PSI	PRECIP
1-1	RAIN BIRD PESB-R	1"	SHRUB SPRAY	18.24	19	30	3.38	2.71	36.08	1.41 in/h
1-2	RAIN BIRD PESB-R	1"	SHRUB SPRAY	18.20	20	30	2.25	2.7	34.95	1.43 in/h
1-3	RAIN BIRD PESB-R	1"	TURF SPRAY	18.92	23	30	0.34	2.78	33.13	2.74 in/h
1-4	RAIN BIRD PESB-R	1"	TURF SPRAY	16.50	19	30	0.5	2.52	33.02	2.18 in/h
1-5	RAIN BIRD PESB-R	1"	SHRUB SPRAY	21.34	23	30	0.64	3.26	33.9	1.7 in/h
1-6	RAIN BIRD PESB-R	1"	BUBBLER	14.00	7	30	0.41	2.24	32.64	27.23 in/h
1-7	RAIN BIRD PESB-R	1"	SHRUB SPRAY	21.94	29	30	2.06	3.42	35.49	1.48 in/h
1-8	RAIN BIRD PESB-R	1"	BUBBLER	11.00	22	30	2.12	1.91	34.03	27.22 in/h
1-9	RAIN BIRD PESB-R	1"	TURF SPRAY	20.26	22	30	0.37	2.97	33.34	2.16 in/h
1-10	RAIN BIRD PESB-R	1"	SHRUB SPRAY	18.98	17	30	0.42	2.79	33.21	1.55 in/h
1-11	RAIN BIRD PESB-R	1"	SHRUB SPRAY	22.10	18	30	0.59	3.47	34.06	1.47 in/h

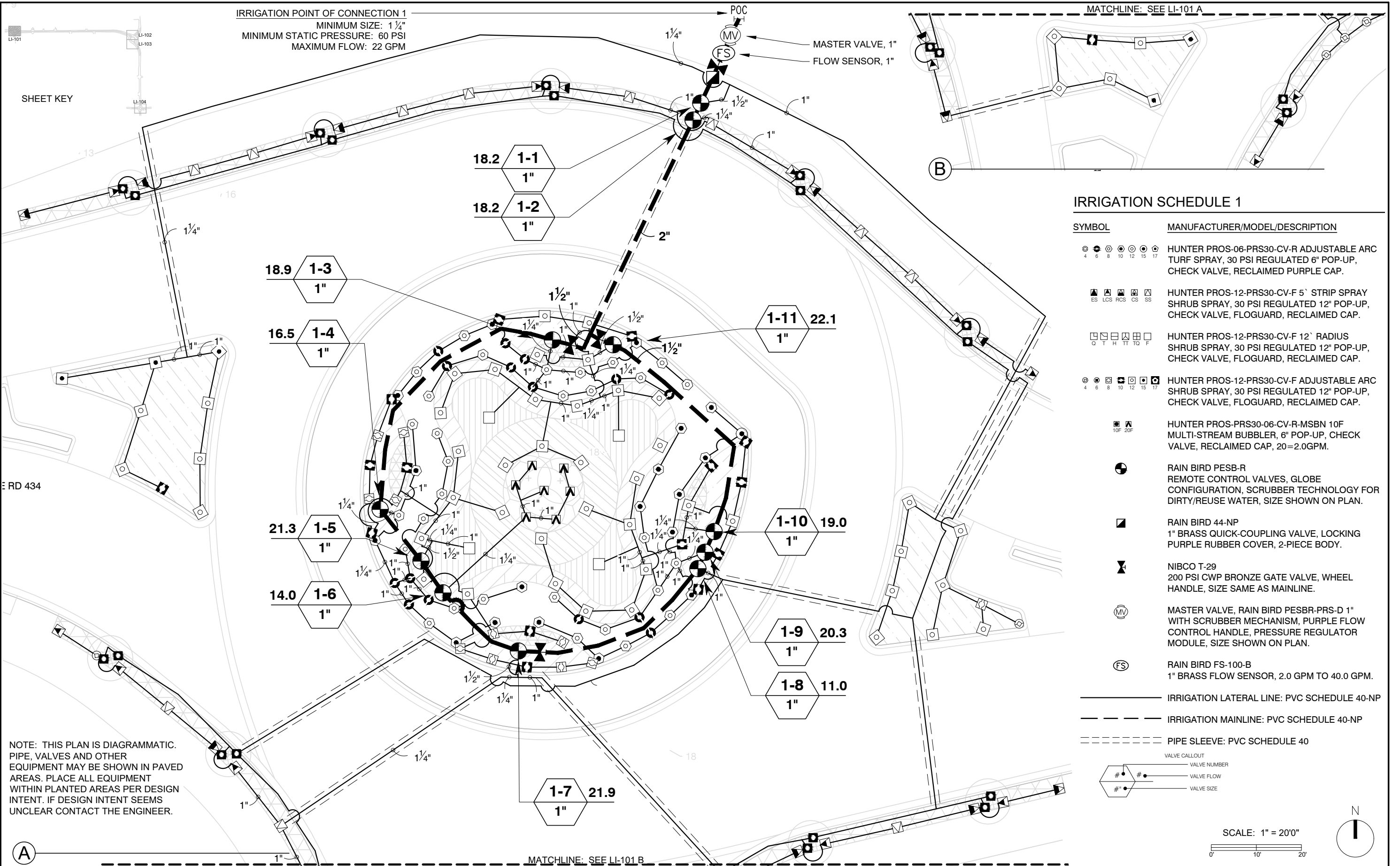
POC 2 VALVE SCHEDULE

NUMBER	MODEL	SIZE	TYPE	GPM	HEADS	DESIGN PSI	FRICTION LOSS	VALVE LOSS	PSI	PRECIP
2-1	RAIN BIRD PESB-R	1"	SHRUB SPRAY	23.24	26	30	2.53	3.78	36.3	1.83 in/h
2-2	RAIN BIRD PESB-R	1"	SHRUB SPRAY	8.93	18	30	0.75	1.78	32.53	2.07 in/h
2-3	RAIN BIRD PESB-R	1"	SHRUB ROTARY	5.87	11	40	0.7	1.72	42.42	0.47 in/h
2-4	RAIN BIRD PESB-R	1"	SHRUB ROTARY	19.85	24	40	0.88	2.88	43.77	0.49 in/h
2-5	RAIN BIRD PESB-R	1"	BUBBLER	8.00	4	30	0.59	1.76	32.35	27.23 in/h
2-6	RAIN BIRD PESB-R	1"	TURF SPRAY	24.02	20	30	0.5	3.99	34.48	1.62 in/h
2-7	RAIN BIRD PESB-R	1"	SHRUB SPRAY	11.35	13	30	0.92	1.95	32.88	1.58 in/h
2-8	RAIN BIRD PESB-R	1"	TURF SPRAY	25.44	17	30	0.77	4.37	35.14	1.48 in/h
2-9	RAIN BIRD PESB-R	1"	SHRUB SPRAY	21.57	32	30	2.74	3.32	36.06	1.82 in/h
2-10	RAIN BIRD PESB-R	1"	SHRUB SPRAY	13.10	14	30	0.92	2.14	33.06	1.54 in/h
2-11	RAIN BIRD PESB-R	1"	BUBBLER	11.00	22	30	2.36	1.91	34.27	27.22 in/h
2-12	RAIN BIRD PESB-R	1"	SHRUB SPRAY	19.51	27	30	2.34	2.85	35.18	1.59 in/h
2-13	RAIN BIRD PESB-R	1"	TURF SPRAY	23.09	20	30	0.51	3.73	34.24	1.55 in/h

POC 3 VALVE SCHEDULE

NUMBER	MODEL	SIZE	TYPE	GPM	HEADS	DESIGN PSI	FRICTION LOSS	VALVE LOSS	PSI	PRECIP
3-1	RAIN BIRD PESB-R	1"	SHRUB SPRAY	10.13	11	30	0.4	1.81	32.21	1.83 in/h
3-2	RAIN BIRD PESB-R	1"	TURF SPRAY	15.82	26	30	0.58	2.44	33.02	3.74 in/h
3-3	RAIN BIRD PESB-R	1"	TURF SPRAY	17.16	30	30	0.85	2.59	33.43	3.72 in/h
3-4	RAIN BIRD PESB-R	1"	BUBBLER	8.00	4	30	0.17	1.76	31.93	28.4 in/h
3-5	RAIN BIRD PESB-R	1"	SHRUB SPRAY	12.40	13	30	0.22	2.06	32.28	1.9 in/h
3-6	RAIN BIRD PESB-R	1"	SHRUB SPRAY	11.19	29	30	0.79	1.93	32.72	3.9 in/h
3-7	RAIN BIRD PESB-R	1"	BUBBLER	11.50	24	30	2.89	1.97	34.85	27.22 in/h
3-8	RAIN BIRD PESB-R	1"	SHRUB SPRAY	10.41	27	30	0.62	1.85	32.47	3.7 in/h
3-9	RAIN BIRD PESB-R	1"	SHRUB SPRAY	18.97	34	30	2.42	2.79	35.2	2.63 in/h
3-10	RAIN BIRD PESB-R	1"	SHRUB SPRAY	11.19	29	30	1.89	1.93	33.83	3.86 in/h
3-11	RAIN BIRD PESB-R	1"	SHRUB SPRAY	9.52	26	30	3.11	1.79	34.91	3.61 in/h
3-12	RAIN BIRD PESB-R	1"	BUBBLER	13.00	13	30	1.91	2.13	34.04	30.64 in/h

REVISIONS				AECOM TECHNICAL SERVICES, Inc. 150 North Orange Avenue Suite 200 Orlando, FL. 32801 C.A. No. 8115 Goran Duvnjak, P.E. No. 84141	STATE OF FLORIDA DEPARTMENT OF TRANSPORTATION			SHEET NO. LI-100
DATE	DESCRIPTION	DATE	ROAD NO.		COUNTY	FINANCIAL PROJECT ID		
			SR 434		SEMINOLE	446491-1-38-01		



IRRIGATION POINT OF CONNECTION 1
 MINIMUM SIZE: 1 1/4"
 MINIMUM STATIC PRESSURE: 60 PSI
 MAXIMUM FLOW: 22 GPM

SHEET KEY

IRRIGATION SCHEDULE 1

SYMBOL	MANUFACTURER/MODEL/DESCRIPTION
	HUNTER PROS-06-PRS30-CV-R ADJUSTABLE ARC TURF SPRAY, 30 PSI REGULATED 6" POP-UP, CHECK VALVE, RECLAIMED PURPLE CAP.
	HUNTER PROS-12-PRS30-CV-F 5' STRIP SPRAY SHRUB SPRAY, 30 PSI REGULATED 12" POP-UP, CHECK VALVE, FLOGUARD, RECLAIMED CAP.
	HUNTER PROS-12-PRS30-CV-F 12' RADIUS SHRUB SPRAY, 30 PSI REGULATED 12" POP-UP, CHECK VALVE, FLOGUARD, RECLAIMED CAP.
	HUNTER PROS-12-PRS30-CV-F ADJUSTABLE ARC SHRUB SPRAY, 30 PSI REGULATED 12" POP-UP, CHECK VALVE, FLOGUARD, RECLAIMED CAP.
	HUNTER PROS-PRS30-06-CV-R-MSBN 10F MULTI-STREAM BUBBLER, 6" POP-UP, CHECK VALVE, RECLAIMED CAP, 20=2.0GPM.
	RAIN BIRD PESB-R REMOTE CONTROL VALVES, GLOBE CONFIGURATION, SCRUBBER TECHNOLOGY FOR DIRTY/REUSE WATER, SIZE SHOWN ON PLAN.
	RAIN BIRD 44-NP 1" BRASS QUICK-COUPLING VALVE, LOCKING PURPLE RUBBER COVER, 2-PIECE BODY.
	NIBCO T-29 200 PSI CWP BRONZE GATE VALVE, WHEEL HANDLE, SIZE SAME AS MAINLINE.
	MASTER VALVE, RAIN BIRD PESBR-PRS-D 1" WITH SCRUBBER MECHANISM, PURPLE FLOW CONTROL HANDLE, PRESSURE REGULATOR MODULE, SIZE SHOWN ON PLAN.
	RAIN BIRD FS-100-B 1" BRASS FLOW SENSOR, 2.0 GPM TO 40.0 GPM.
	IRRIGATION LATERAL LINE: PVC SCHEDULE 40-NP
	IRRIGATION MAINLINE: PVC SCHEDULE 40-NP
	PIPE SLEEVE: PVC SCHEDULE 40
	VALVE CALLOUT # VALVE NUMBER # VALVE FLOW # VALVE SIZE

NOTE: THIS PLAN IS DIAGRAMMATIC. PIPE, VALVES AND OTHER EQUIPMENT MAY BE SHOWN IN PAVED AREAS. PLACE ALL EQUIPMENT WITHIN PLANTED AREAS PER DESIGN INTENT. IF DESIGN INTENT SEEMS UNCLEAR CONTACT THE ENGINEER.

REVISIONS			
DATE	DESCRIPTION	DATE	DESCRIPTION

AECOM TECHNICAL SERVICES, Inc.
 150 North Orange Avenue
 Suite 200
 Orlando, FL. 32801
 C.A. No. 8115
 Goran Duvnjak, P.E. No. 84141

STATE OF FLORIDA
 DEPARTMENT OF TRANSPORTATION

ROAD NO.	COUNTY	FINANCIAL PROJECT ID
SR 434	SEMINOLE	446491-1-38-01

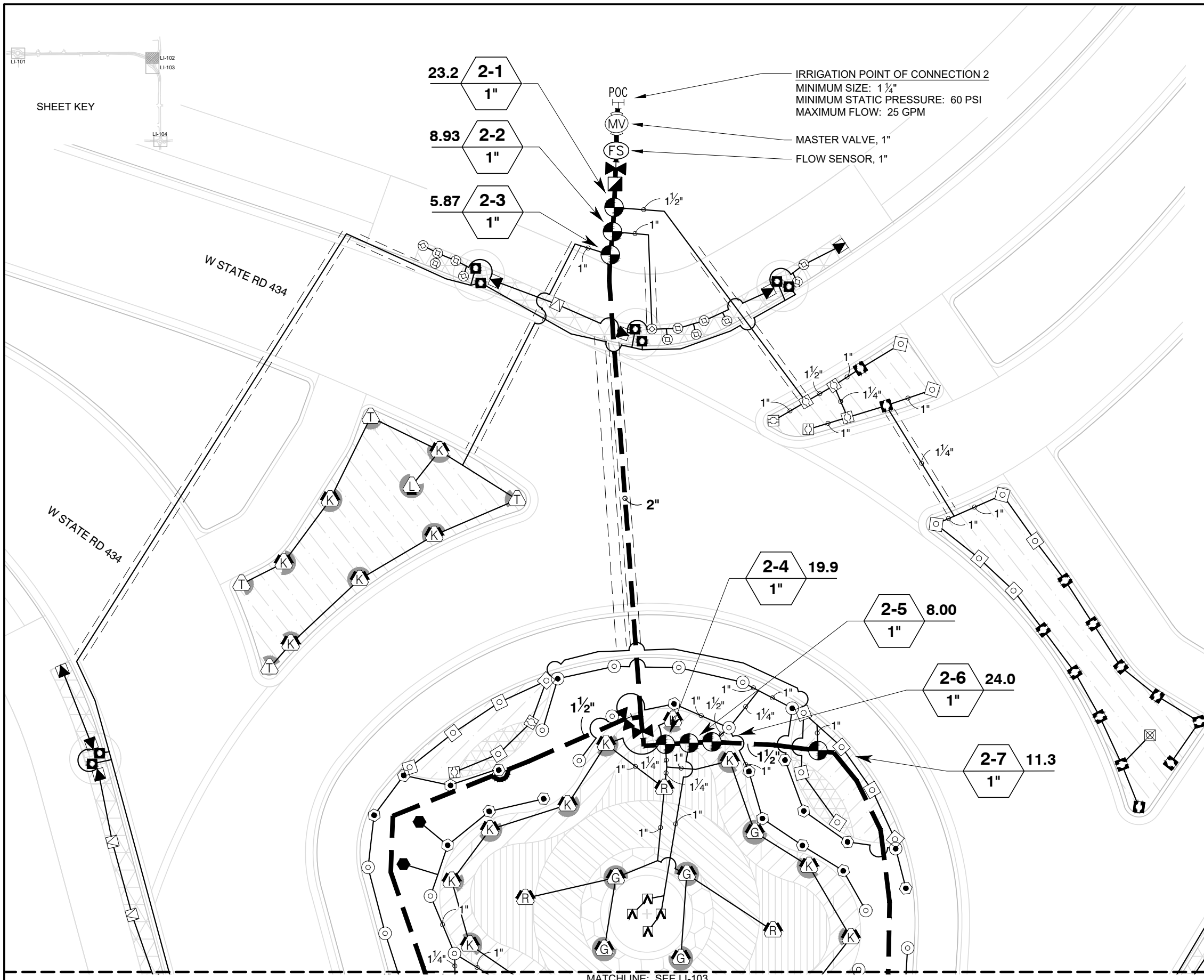
DATE	DESCRIPTION	DATE	DESCRIPTION

SHEET NO.
LI-101

IRRIGATION SCHEDULE POC 2

SYMBOL	MANUFACTURER/MODEL/DESCRIPTION
	HUNTER PROS-06-PRS30-CV-R 10' RADIUS TURF SPRAY, 30 PSI REGULATED 6" POP-UP, CHECK VALVE, RECLAIMED PURPLE CAP.
	HUNTER PROS-06-PRS30-CV-R ADJUSTABLE ARC TURF SPRAY, 30 PSI REGULATED 6" POP-UP, CHECK VALVE, RECLAIMED PURPLE CAP.
	HUNTER PROS-12-PRS30-CV-F 5' STRIP SPRAY SHRUB SPRAY, 30 PSI REGULATED 12" POP-UP, CHECK VALVE, FLOGUARD, RECLAIMED CAP.
	HUNTER PROS-12-PRS30-CV-F 8' RADIUS SHRUB SPRAY, 30 PSI REGULATED 12" POP-UP, CHECK VALVE, FLOGUARD, RECLAIMED CAP.
	HUNTER PROS-12-PRS30-CV-F ADJUSTABLE ARC SHRUB SPRAY, 30 PSI REGULATED 12" POP-UP, CHECK VALVE, FLOGUARD, RECLAIMED CAP.
	HUNTER MP CORNER PROS-12-PRS40-CV-F-R SHRUB ROTATOR, 12" POP-UP WITH CHECK VALVE, FLOGUARD, PURPLE CAP, PRESSURE REGULATED TO 40 PSI.
	HUNTER MP1000 PROS-12-PRS40-CV-F-R SHRUB ROTATOR, 12" POP-UP WITH CHECK VALVE, FLOGUARD, PURPLE CAP, PRESSURE REGULATED TO 40 PSI.
	HUNTER MP2000 PROS-12-PRS40-CV-F-R SHRUB ROTATOR, 12" POP-UP WITH FACTORY INSTALLED CHECK VALVE, FLOGUARD, RECLAIMED BODY CAP, PRESSURE REGULATED TO 40 PSI.
	HUNTER PROS-PRS30-06-CV-R-MSBN 10F MULTI-STREAM BUBBLER, 6" POP-UP, CHECK VALVE, RECLAIMED CAP, 20=2.0GPM.
	RAIN BIRD PESB-R REMOTE CONTROL VALVES, GLOBE CONFIGURATION, SCRUBBER TECHNOLOGY FOR DIRTY/REUSE WATER, SIZE SHOWN ON PLAN.
	RAIN BIRD 44-NP 1" BRASS QUICK-COUPLING VALVE, LOCKING PURPLE RUBBER COVER, 2-PIECE BODY.
	NIBCO T-29 200 PSI CWP BRONZE GATE VALVE, WHEEL HANDLE, SIZE SAME AS MAINLINE.

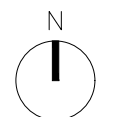
NOTE: THIS PLAN IS DIAGRAMMATIC. PIPE, VALVES AND OTHER EQUIPMENT MAY BE SHOWN IN PAVED AREAS. PLACE ALL EQUIPMENT WITHIN PLANTED AREAS PER DESIGN INTENT. IF DESIGN INTENT SEEMS UNCLEAR CONTACT THE ENGINEER.



SHEET KEY



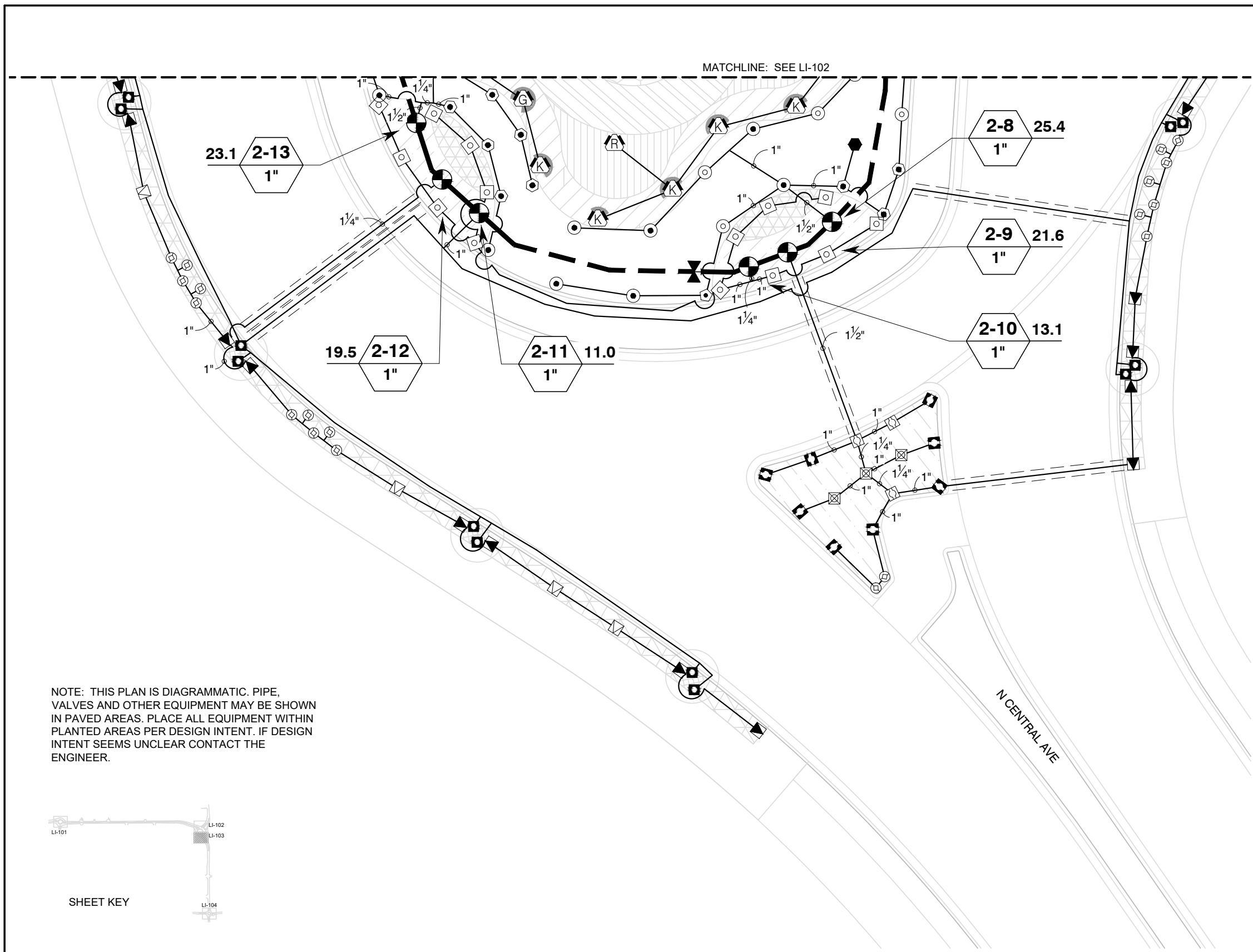
SCALE: 1" = 20'0"



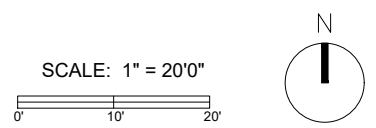
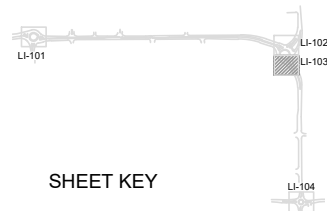
REVISIONS				AECOM TECHNICAL SERVICES, Inc. 150 North Orange Avenue Suite 200 Orlando, FL. 32801 C.A. No. 8115 Goran Duvnjak, P.E. No. 84141	STATE OF FLORIDA DEPARTMENT OF TRANSPORTATION			SHEET NO. LI-102
DATE	DESCRIPTION	DATE	DESCRIPTION		ROAD NO.	COUNTY	FINANCIAL PROJECT ID	
					SR 434	SEMINOLE	446491-1-38-01	

IRRIGATION SCHEDULE POC 2

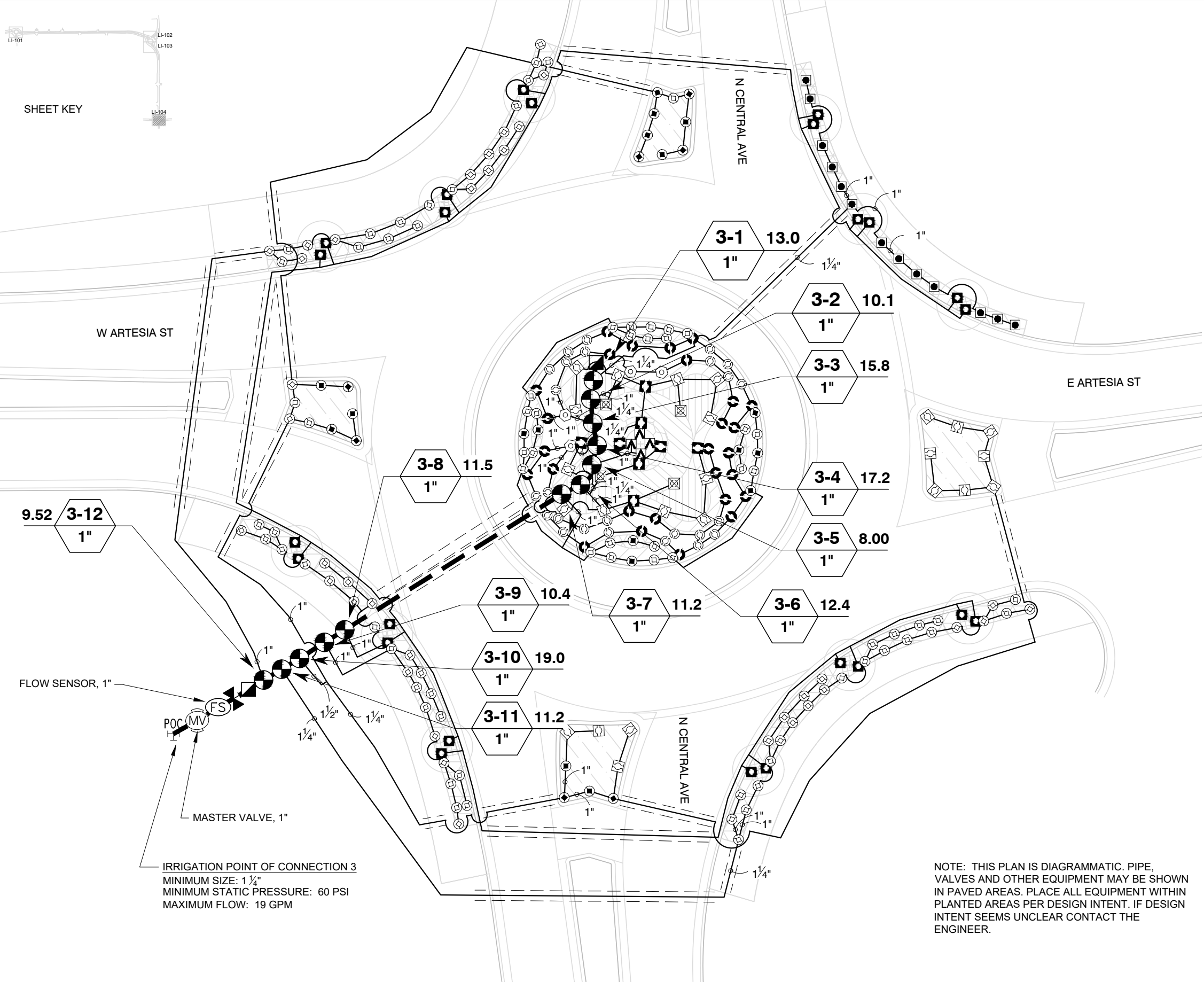
SYMBOL	MANUFACTURER/MODEL/DESCRIPTION
	HUNTER PROS-06-PRS30-CV-R 10' RADIUS TURF SPRAY, 30 PSI REGULATED 6" POP-UP, CHECK VALVE, RECLAIMED PURPLE CAP.
	HUNTER PROS-06-PRS30-CV-R ADJUSTABLE ARC TURF SPRAY, 30 PSI REGULATED 6" POP-UP, CHECK VALVE, RECLAIMED PURPLE CAP.
	HUNTER PROS-12-PRS30-CV-F 5' STRIP SPRAY SHRUB SPRAY, 30 PSI REGULATED 12" POP-UP, CHECK VALVE, FLOGUARD, RECLAIMED CAP.
	HUNTER PROS-12-PRS30-CV-F 8' RADIUS SHRUB SPRAY, 30 PSI REGULATED 12" POP-UP, CHECK VALVE, FLOGUARD, RECLAIMED CAP.
	HUNTER PROS-12-PRS30-CV-F ADJUSTABLE ARC SHRUB SPRAY, 30 PSI REGULATED 12" POP-UP, CHECK VALVE, FLOGUARD, RECLAIMED CAP.
	HUNTER MP CORNER PROS-12-PRS40-CV-F-R SHRUB ROTATOR, 12" POP-UP WITH CHECK VALVE, FLOGUARD, PURPLE CAP, PRESSURE REGULATED TO 40 PSI.
	HUNTER MP1000 PROS-12-PRS40-CV-F-R SHRUB ROTATOR, 12" POP-UP WITH CHECK VALVE, FLOGUARD, PURPLE CAP, PRESSURE REGULATED TO 40 PSI,
	HUNTER MP2000 PROS-12-PRS40-CV-F-R SHRUB ROTATOR, 12" POP-UP WITH FACTORY INSTALLED CHECK VALVE, FLOGUARD, RECLAIMED BODY CAP, PRESSURE REGULATED TO 40 PSI,
	HUNTER PROS-PRS30-06-CV-R-MSBN 10F MULTI-STREAM BUBBLER, 6" POP-UP, CHECK VALVE, RECLAIMED CAP, 20=2.0GPM.
	RAIN BIRD PESB-R REMOTE CONTROL VALVES, GLOBE CONFIGURATION, SCRUBBER TECHNOLOGY FOR DIRTY/REUSE WATER, SIZE SHOWN ON PLAN.
	RAIN BIRD 44-NP 1" BRASS QUICK-COUPLING VALVE, LOCKING PURPLE RUBBER COVER, 2-PIECE BODY.
	NIBCO T-29 200 PSI CWP BRONZE GATE VALVE, WHEEL HANDLE, SIZE SAME AS MAINLINE.
	MASTER VALVE, RAIN BIRD PESBR-PRS-D 1" WITH SCRUBBER MECHANISM, PURPLE FLOW CONTROL HANDLE, PRESSURE REGULATOR MODULE, SIZE SHOWN ON PLAN.
	RAIN BIRD FS-100-B 1" BRASS FLOW SENSOR, 2.0 GPM TO 40.0 GPM.
	IRRIGATION LATERAL LINE: PVC SCHEDULE 40-NP
	IRRIGATION MAINLINE: PVC SCHEDULE 40-NP
	PIPE SLEEVE: PVC SCHEDULE 40



NOTE: THIS PLAN IS DIAGRAMMATIC. PIPE, VALVES AND OTHER EQUIPMENT MAY BE SHOWN IN PAVED AREAS. PLACE ALL EQUIPMENT WITHIN PLANTED AREAS PER DESIGN INTENT. IF DESIGN INTENT SEEMS UNCLEAR CONTACT THE ENGINEER.



REVISIONS				AECOM TECHNICAL SERVICES, Inc. 150 North Orange Avenue Suite 200 Orlando, FL. 32801 C.A. No. 8115 Goran Duvnjak, P.E. No. 84141	STATE OF FLORIDA DEPARTMENT OF TRANSPORTATION			SHEET NO. LI-103
DATE	DESCRIPTION	DATE	DESCRIPTION		ROAD NO.	COUNTY	FINANCIAL PROJECT ID	
					SR 434	SEMINOLE	446491-1-38-01	



IRRIGATION SCHEDULE POC 3

SYMBOL	MANUFACTURER/MODEL/DESCRIPTION
	HUNTER PROS-06-PRS30-CV-R ADJUSTABLE ARC TURF SPRAY, 30 PSI REGULATED 6" POP-UP, CHECK VALVE, RECLAIMED PURPLE CAP.
	HUNTER PROS-12-PRS30-CV-F 8' RADIUS SHRUB SPRAY, 30 PSI REGULATED 12" POP-UP, CHECK VALVE, FLOGUARD, RECLAIMED CAP.
	HUNTER PROS-12-PRS30-CV-F ADJUSTABLE ARC SHRUB SPRAY, 30 PSI REGULATED 12" POP-UP, CHECK VALVE, FLOGUARD, RECLAIMED CAP.
	HUNTER PROS-PRS30-06-CV-R-MSBN 10F MULTI-STREAM BUBBLER, 6" POP-UP, CHECK VALVE, RECLAIMED CAP, 10=1 GPM, 20=2 GPM.
	RAIN BIRD PESB-R REMOTE CONTROL VALVES, GLOBE CONFIGURATION, SCRUBBER TECHNOLOGY FOR DIRTY/REUSE WATER, SIZE SHOWN ON PLAN.
	RAIN BIRD 44-NP 1" BRASS QUICK-COUPLING VALVE, LOCKING PURPLE RUBBER COVER, 2-PIECE BODY.
	NIBCO T-29 200 PSI CWP BRONZE GATE VALVE, WHEEL HANDLE, SIZE SAME AS MAINLINE.
	MASTER VALVE, RAIN BIRD PESB-R-PRS-D 1" WITH SCRUBBER MECHANISM, PURPLE FLOW CONTROL HANDLE, PRESSURE REGULATOR MODULE, SIZE SHOWN ON PLAN.
	RAIN BIRD FS-100-B 1" BRASS FLOW SENSOR, 2.0 GPM TO 40.0 GPM.
	IRRIGATION LATERAL LINE: PVC SCHEDULE 40-NP
	IRRIGATION MAINLINE: PVC SCHEDULE 40-NP
	PIPE SLEEVE: PVC SCHEDULE 40
	VALVE CALLOUT # VALVE NUMBER # VALVE FLOW # VALVE SIZE

SHEET KEY

9.52 3-12
1"

N CENTRAL AVE

W ARTESIA ST

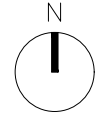
E ARTESIA ST

N CENTRAL AVE

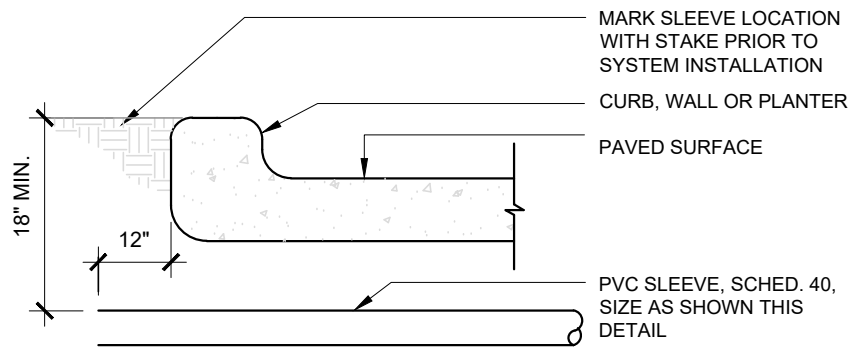
IRRIGATION POINT OF CONNECTION 3
MINIMUM SIZE: 1 1/4"
MINIMUM STATIC PRESSURE: 60 PSI
MAXIMUM FLOW: 19 GPM

NOTE: THIS PLAN IS DIAGRAMMATIC. PIPE, VALVES AND OTHER EQUIPMENT MAY BE SHOWN IN PAVED AREAS. PLACE ALL EQUIPMENT WITHIN PLANTED AREAS PER DESIGN INTENT. IF DESIGN INTENT SEEMS UNCLEAR CONTACT THE ENGINEER.

SCALE: 1" = 20'0"



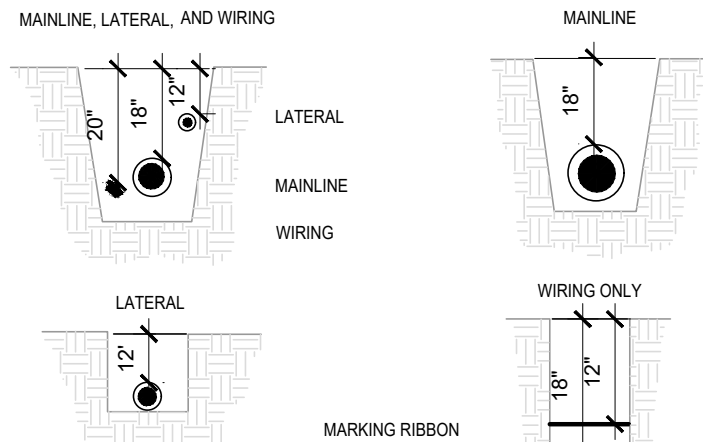
REVISIONS				AECOM TECHNICAL SERVICES, Inc. 150 North Orange Avenue Suite 200 Orlando, FL. 32801 C.A. No. 8115 Goran Duvnjak, P.E. No. 84141	STATE OF FLORIDA DEPARTMENT OF TRANSPORTATION			SHEET NO. LI-104
DATE	DESCRIPTION	DATE	DESCRIPTION		ROAD NO.	COUNTY	FINANCIAL PROJECT ID	
					SR 434	SEMINOLE	446491-1-38-01	



PIPE SIZE OR WIRE	SLEEVE SIZE REQUIRED
1"-1 1/4" PIPE	2"
1 1/2" - 2" PIPE	4"
2 1/2" - 3" PIPE	6"
CONTROL WIRES	2"

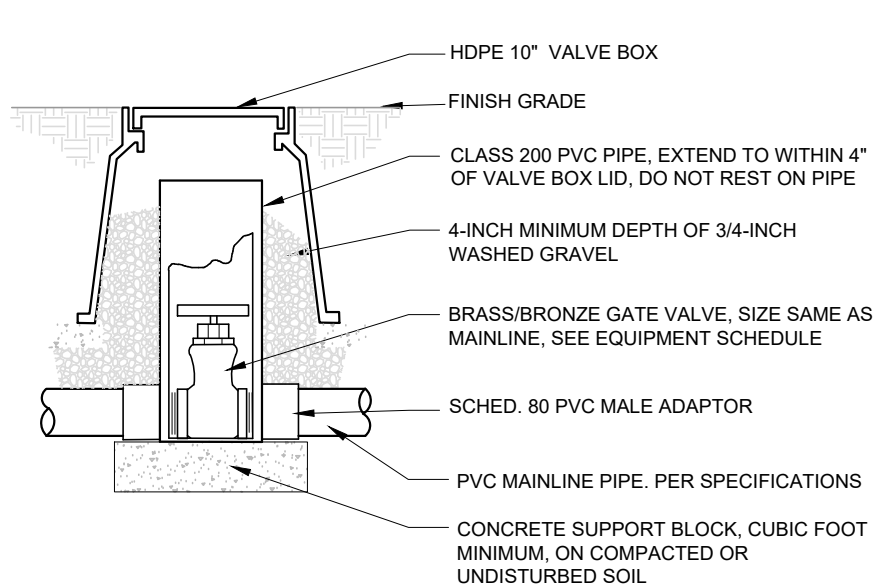
- NOTE:
- EACH LENGTH OF SLEEVED PIPE SHOWN SHALL BE ROUTED THROUGH A SEPARATE SLEEVE.
 - MINIMUM ALLOWABLE SLEEVE DEPTH IS 18-INCHES.
 - USE SEPARATE SLEEVE FOR WIRE.

3 IRRIGATION SLEEVE INSTALLATION
NOT TO SCALE



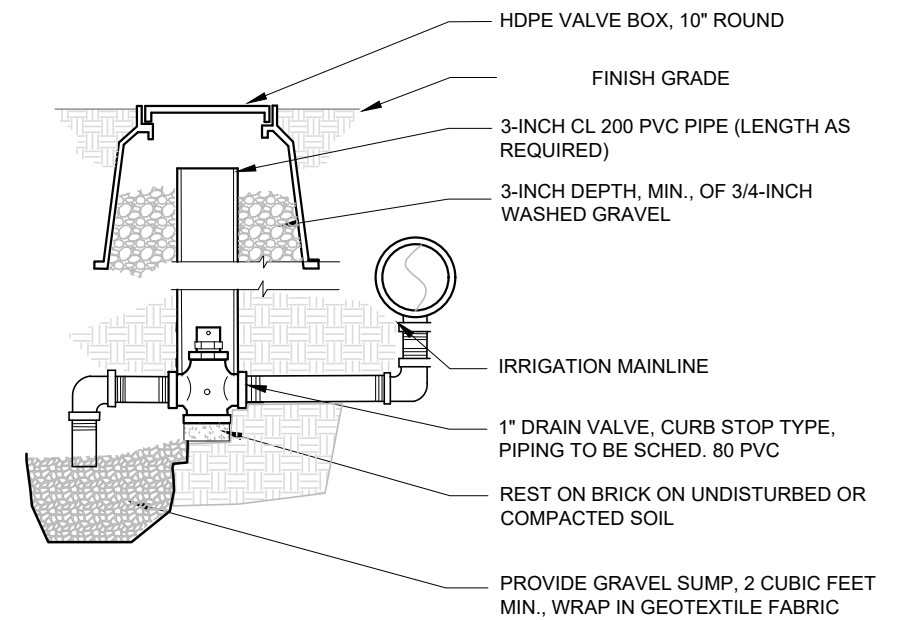
- NOTES:
- TAPE AND BUNDLE CONVENTIONAL CONTROL WIRING AT 10-FOOT INTERVALS.
 - ALL MAINLINE PIPING TO BE INSTALLED IN ACCORDANCE WITH MANUFACTURER'S INSTALLATION SPECIFICATIONS.
 - ROUTE TRENCH MINIMUM 6 FEET FROM ANY TREE PLANTING OR EXCAVATE CAREFULLY BY HAND AND FOLLOW TREE PROTECTION PLAN.
 - TIE A 20-INCH LOOP IN ALL WIRING AT CHANGES OF DIRECTIONS GREATER THAN 30 DEGREES. UNTIE AFTER ALL CONNECTIONS HAVE BEEN MADE.
 - BACK FILL MATERIAL TO BE FREE OF ALL DEBRIS AND ROCKS LARGER THAN 3/4" IN DIAMETER.

1 PIPE & WIRE INSTALLATION
NOT TO SCALE



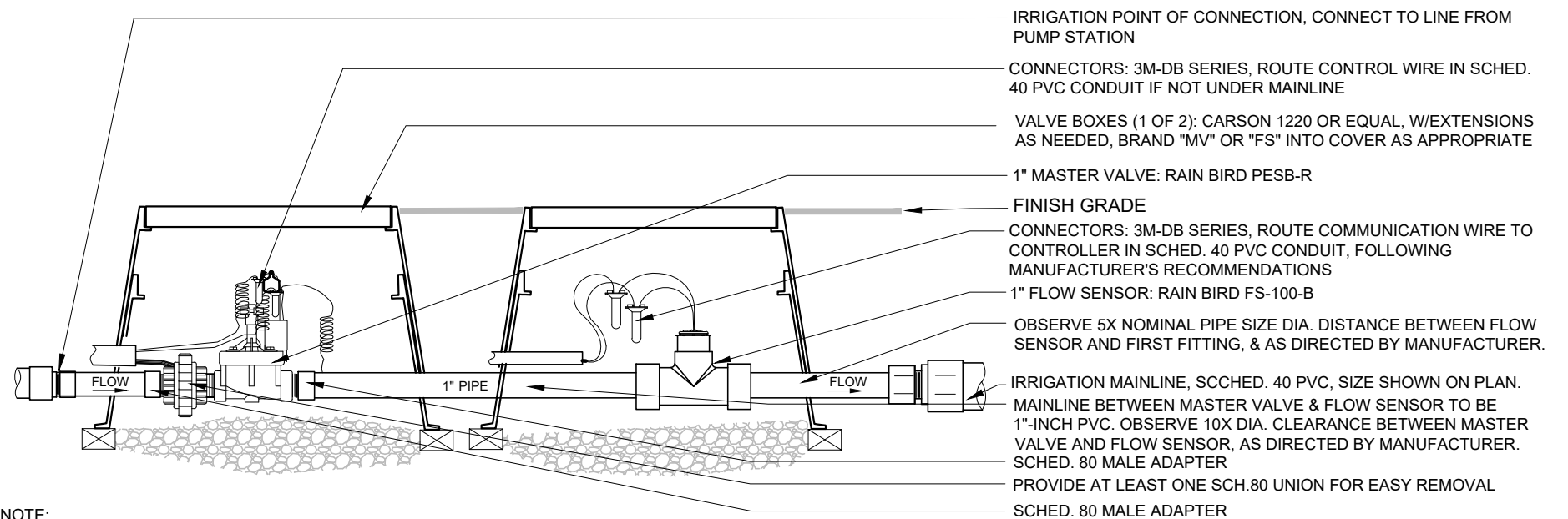
- NOTE:
- NOMINAL SIZE OF GATE VALVE TO MATCH NOMINAL SIZE OF MAINLINE PIPE.

4 ISOLATION GATE VALVE INSTALLATION
NOT TO SCALE



- NOTE:
- PLACE DRAIN VALVE AT ALL LOW POINTS ALONG MAINLINE.

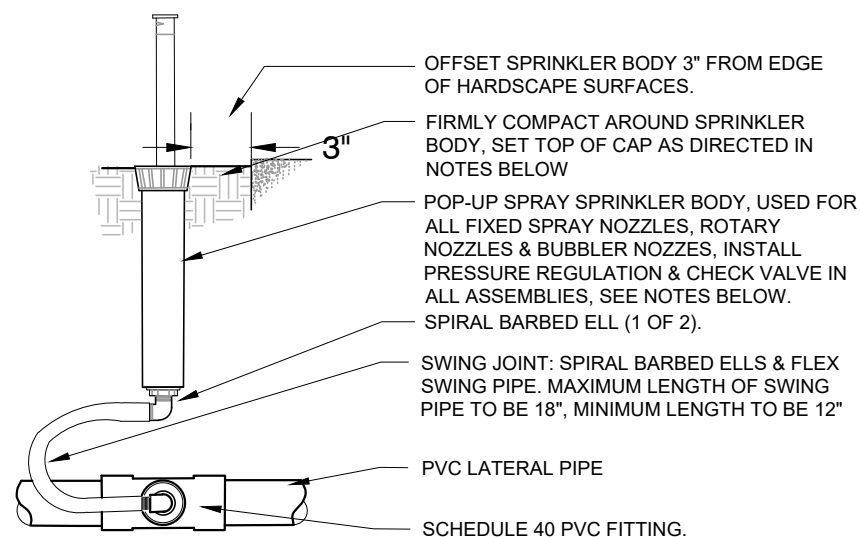
5 DRAIN VALVE INSTALLATION
NOT TO SCALE



- NOTE:
- SENSOR INLET PIPE MUST BE AT MINIMUM 12" (10 TIMES PIPE DIAMETER), STRAIGHT RUN W/ NO FITTINGS.
 - SENSOR OUTLET MUST BE AT MINIMUM 7" (5 TIMES PIPE DIAMETER), STRAIGHT RUN W/ NO FITTINGS.
 - ENCASE CONTROL WIRE IN PVC SLEEVE UNDER STRUCTURES, PAVEMENT, AND IF NOT PROTECTED UNDER MAINLINE.
 - ENCASE FLOW SENSOR CONTROL WIRE IN SEPARATE PVC SLEEVE.
 - LOCATE AT LEAST 12" FROM, AND ALIGN WITH, ADJACENT WALLS OR PAVED EDGES.

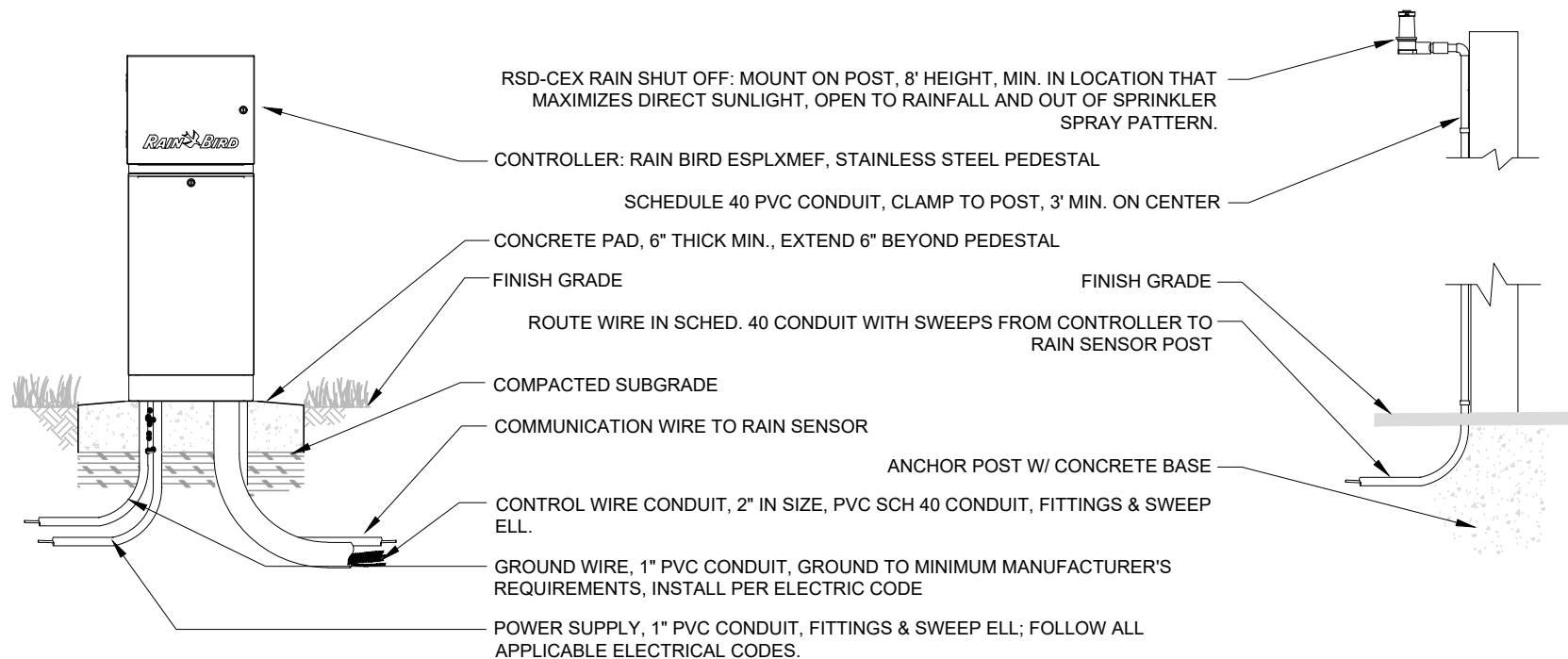
2 MASTER VALVE & FLOW SENSOR INSTALLATION
NOT TO SCALE

REVISIONS				AECOM TECHNICAL SERVICES, Inc. 150 North Orange Avenue Suite 200 Orlando, FL. 32801 C.A. No. 8115 Goran Duvnjak, P.E. No. 84141	STATE OF FLORIDA DEPARTMENT OF TRANSPORTATION			SHEET NO. LI-105
DATE	DESCRIPTION	DATE	DESCRIPTION		ROAD NO.	COUNTY	FINANCIAL PROJECT ID	
					SR 434	SEMINOLE	446491-1-38-01	



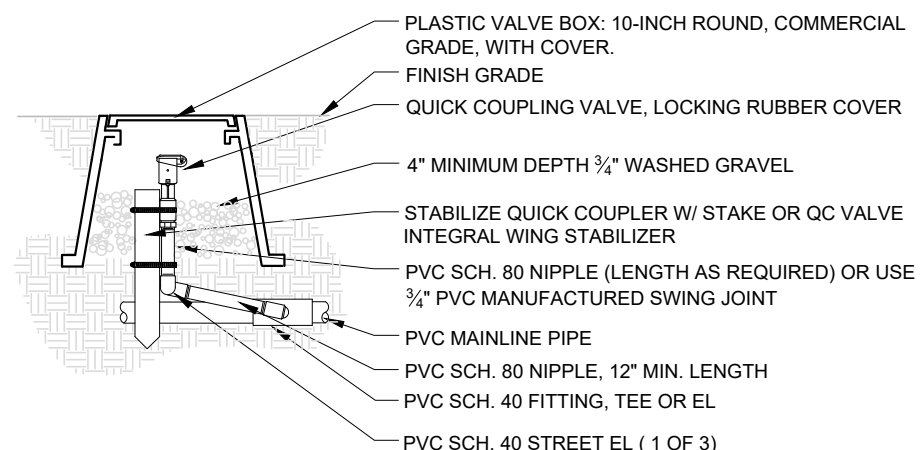
- NOTES:
1. SET SPRINKLER LEVEL WITH FINISHED GRADE IN TURF GRASS AREAS. SET TOP OF SPRINKLER 1/2" ABOVE FINISHED GRADE IN PLANTING BEDS.
 2. REFER TO SPECIFICATIONS FOR ALL MATERIALS CALLED OUT IN DETAIL.
 3. INSTALL PROPER SPRINKLER BODIES:
 - USE 40 PSI PRESSURE REGULATION FOR ROTARIES
 - USE 30 PSI PRESSURE REGULATION FOR FIXED SPRAYS
 - USE 30 PSI PRESSURE REGULATION FOR BUBBLERS
 - USE 6" POP-UP FOR TURF AND BUBBLER NOZZLES
 - USE 12" POP-UP FOR PLANTING BED NOZZLES

4 SPRINKLER & BUBBLER INSTALLATION
NOT TO SCALE



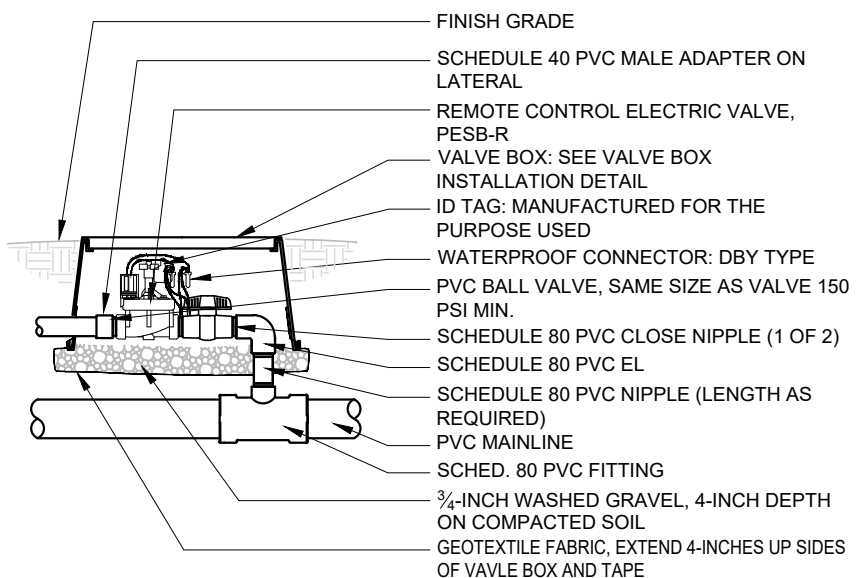
- NOTES:
1. STRICTLY FOLLOW ALL CONTROL SYSTEM MANUFACTURER'S INSTRUCTIONS, INSTALLATION GUIDES, & USER MANUALS.
 2. INSTALL ALL GROUNDING EQUIPMENT AS SPECIFIED BY CONTROL SYSTEM MANUFACTURER & ASIC GUIDELINES.
 3. INSTALL CONTROLLER ADJACENT TO ELECTRICAL SERVICE PROVIDED.
 4. INSTALL ALL COMPONENTS PER ELECTRICAL CODE.

5 IRRIGATION CONTROLLER INSTALLATION
NOT TO SCALE



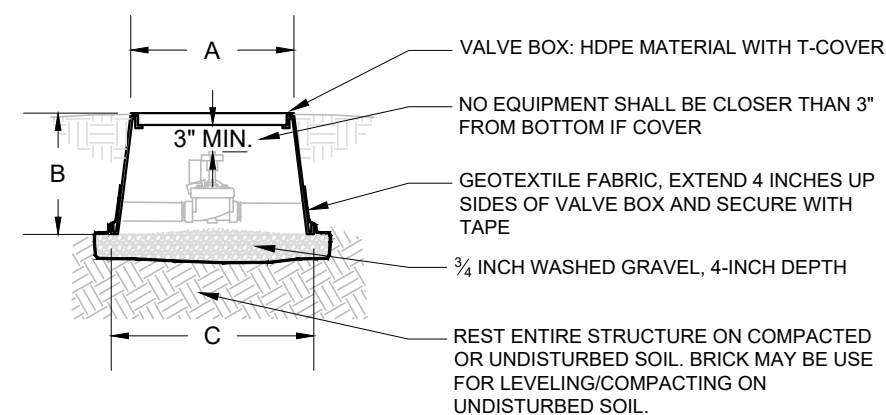
- NOTES:
1. BRAND "QC" INTO LID OF EACH VALVE BOX W/ 2" LETTERS.
 2. AS ALTERNATIVE TO ASSEMBLY SHOWN ABOVE, MANUFACTURED SWING JOINT AS MANUFACTURED BY RAIN BIRD, HUNTER OR LASCO MAY BE USED.

1 QUICK COUPLER VALVE INSTALLATION
NOT TO SCALE



- NOTES:
1. FITTINGS SHALL BE SIZED IDENTICALLY WITH NOMINAL VALVE SIZE.
 2. LOCATE VALVE BOX AT LEAST 12" FROM, AND ALIGN WITH NEARBY WALLS OR EDGES OF PAVED AREAS. GROUP RCV ASSEMBLIES TOGETHER WHERE PRACTICAL. ARRANGE GROUPED BOXES IN RECTANGULAR PATTERN.
 3. BRAND CONTROLLER AND STATION NUMBER INTO LID OF EACH VALVE BOX IN 3" LETTERS.
 4. LEAVE A 30" COIL OF CONTROL WIRE IN VALVE BOX.

2 REMOTE CONTROL VALVE
NOT TO SCALE



MINIMUM VALVE BOX SIZES			
DIMENSION	A	B	C
1" RCV VALVE	17"	12"	21"
1.5" RCV VALVE	21"	15"	25"

- NOTES:
1. BRAND STATION NUMBER OR COMPONENTS IDENTIFICATION INTO LID OF EACH VALVE BOX IN 3" LETTERS.
 2. USE ONLY DB TYPE WATER-TIGHT ELECTRICAL CONNECTORS.
 3. COIL 30 INCHES OF CONTROL WIRE, WHERE CONTROL WIRE IS USED.

3 VALVE BOX INSTALLATION
NOT TO SCALE

REVISIONS				AECOM TECHNICAL SERVICES, Inc. 150 North Orange Avenue Suite 200 Orlando, FL. 32801 C.A. No. 8115 Goran Duvnjak, P.E. No. 84141	STATE OF FLORIDA DEPARTMENT OF TRANSPORTATION			SHEET NO. LI-106
DATE	DESCRIPTION	DATE	DESCRIPTION		ROAD NO.	COUNTY	FINANCIAL PROJECT ID	
					SR 434	SEMINOLE	446491-1-38-01	